

Medi-Tell 2

DISABLED PERSONS ALARM

BATTERY BACKUP UNIT



User / Installation Manual

VI56 Version 1

VENTCROFT LTD
GODDARD RD
ASTMOOR IND ESTATE
RUNCORN
CHESHIRE
WA7 1NQ
TEL: 01928 581098
FAX: 01928 581099



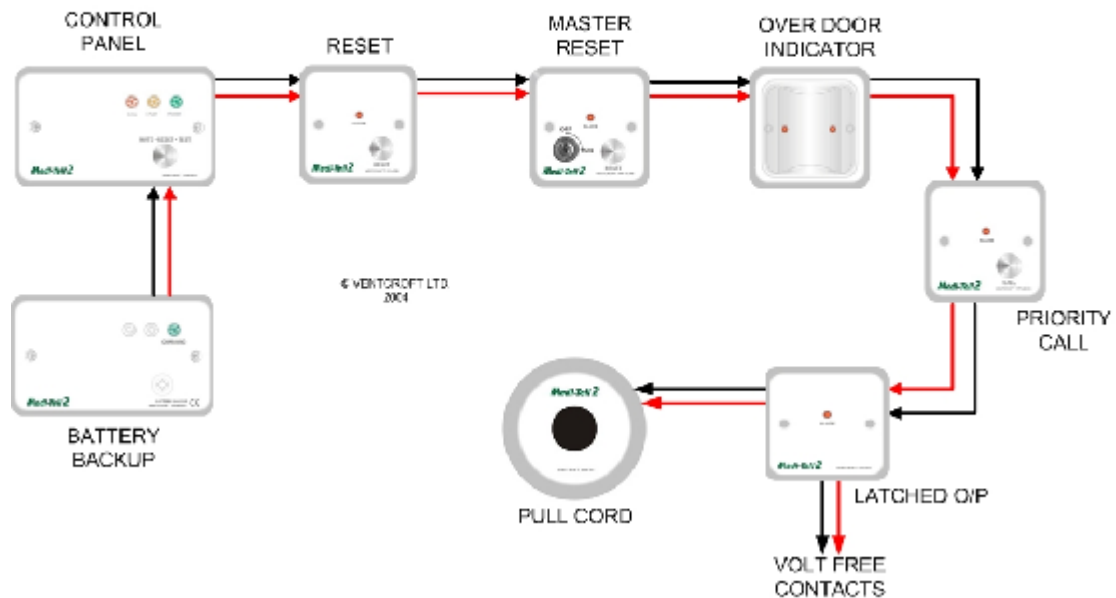
...Protecting People

BATTERY BACK-UP UNIT (VPA-BB1)

Overview

The VPA-BB1 Battery backup unit is designed for use with Ventcroft's VPA-2 Disabled Persons Response Alarm as an SLA Emulator, it allows the VPA-2 to continue to function during a mains failure. With a single battery the DPA will last for around 4-6 Hours and with 4 batteries the stand-by time is up-to 20-24 hours. The battery Back-up Unit is sold complete with 1 battery and is easy expand to 4 batteries.

MEDITELL 2 ADVANCED WIRING DIAGRAM



The Back-Up unit is sold complete with a Surface Mounting back-box and be fitted either surface or flush.

Instillation

Instillation of the Battery backup unit is very simple. The Battery Backup unit is usually located close to the Control unit and is wired directly from the battery terminals marked 'BATTERY 12V SLA ONLY' on the Control Unit (Shown Below – Fig.1) and the 'DPA' Terminals on the Battery backup unit. (Shown Below – Fig.2).

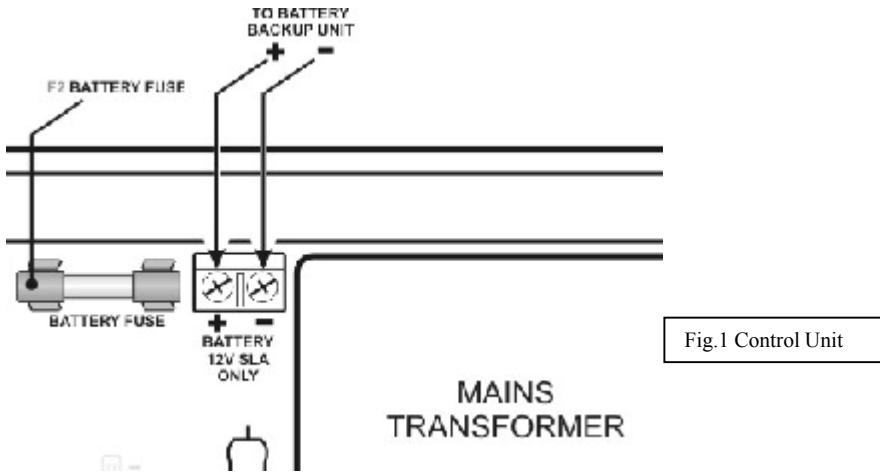


Fig.1 Control Unit

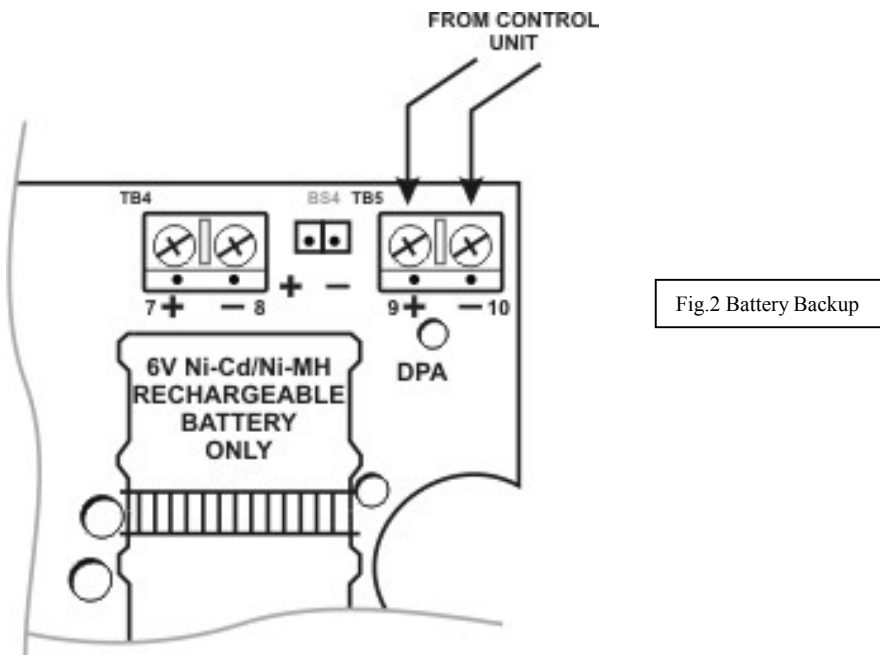


Fig.2 Battery Backup

Once both units are wired together the battery backup system can be enabled, this is done by simply moving the red 'BATTERY' Jumper from 'OFF' to 'ON'.

When charging the CHARGING Indicator will be illuminated.
When the mains supply is removed the CHARGING Indicator will go off.

Addition of new batteries

The addition of more batteries is very simple, Batteries can be added at any time by simply wiring more batteries into the unit in the spaces provided (Marked Additional Battery 2, 3 and 4). Note: The battery backup unit must be disabled before more batteries are added (move the red 'BATTERY' jumper from 'OFF' to 'ON' .New Batteries should be secured using a cable tie in the holes provided on the PCB.

Key features

Supplied with 1 * 280 Ma Ni-Cd Battery
Small Size, Double Gang.
Battery Charge LED
Supplied With Surface Back Box
Surface Or Flush Mounting
Easy Replaceable Batteries
Expandable to 4 Batteries
From 4 to 20 Hour Stand By Time
2 Year Warranty.

Specifications

	MIN	MAX
Battery Type	6V NI-CD / NI-MH 280 mAH	
Input Voltage	13.5V	13.8V
Output Voltage	10.5V	12V
Charge Current (Per Battery)	4mA	6mA
Output Current	5mA	400mA
Quiescent Current	3mA	6mA
Output Trip Current (Polyfuse)	300mA	400mA

Technical Help

If you have any problems or difficulties using/Installing this product please contact us.

WEB: <http://www.ventcroft.co.uk>
E-Mail: tech.help@ventcroft.co.uk
Phone: 01928581098
Fax: 01928581099